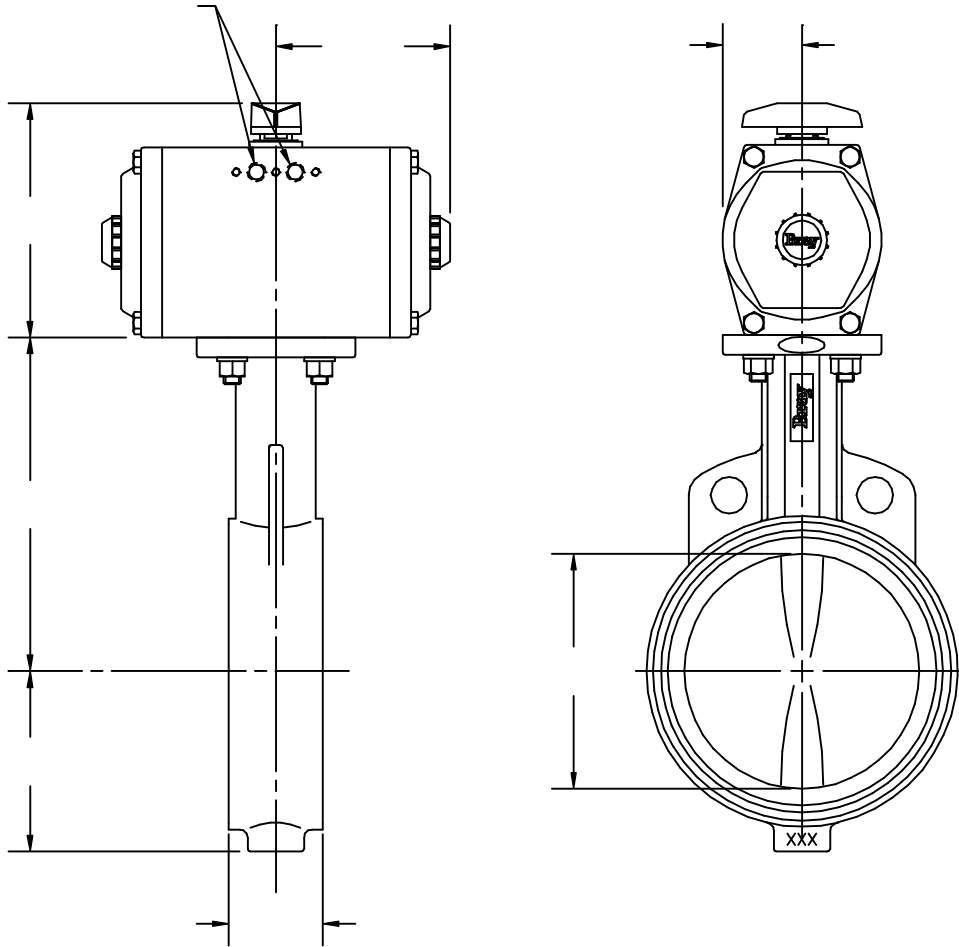




**SERIES 30  
ES-0188**

**\*ATTENTION\***

THIS DOCUMENT IS VALID IF AND ONLY IF YOU PERSONALLY DOWNLOADED IT FROM WWW.BRAY.COM  
IF YOU RECEIVED THIS DOCUMENT FROM ANY OTHER SOURCE, PLEASE TAKE INTO CONSIDERATION THAT ALTERATIONS  
COULD HAVE BEEN MADE. FOR AN ORIGINAL COPY, PLEASE CONTACT BRAY VALVE AT 281-894-5454



2	ACTUATOR	1			
1	VALVE	1			
ITEM No.	NAME	No. REQUIRED	SERIES/PART No.	MATERIAL	SPECIFICATION/REMARKS

Valve Size _____ Flg. Drilling _____	 <p><b>BRAY VALVE &amp; CONTROLS</b> A Subsidiary of BRAY INTERNATIONAL, Inc.</p>											
Pressure Rating _____												
Customer/Project _____												
Inq./P.O. No. _____												
Bray Order No. _____												
Certified Correct By _____ Date _____	<p align="center"><b>SERIES 30 BUTTERFLY VALVE WITH SERIES 90 ACTUATOR</b></p> <table border="1"> <tr> <th>Series</th> <th>Size</th> <th>Part No.</th> <th>Material Trim Code</th> <th>Drawing No.</th> </tr> <tr> <td></td> <td></td> <td></td> <td></td> <td>ES-0188</td> </tr> </table>		Series	Size	Part No.	Material Trim Code	Drawing No.					ES-0188
Series	Size	Part No.	Material Trim Code	Drawing No.								
				ES-0188								