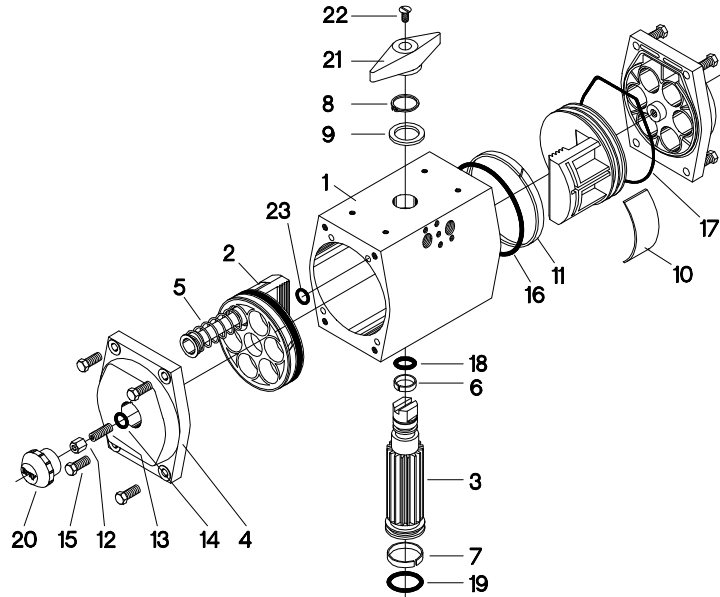


ATTENTION

THIS DOCUMENT IS VALID IF AND ONLY IF YOU PERSONALLY DOWNLOADED IF FROM WWW.BRAY.COM
 IF YOU RECEIVED THIS DOCUMENT FROM ANY OTHER SOURCE, PLEASE TAKE INTO CONSIDERATION THAT ALTERATIONS
 COULD HAVE BEEN MADE, FOR AN ORIGINAL COPY, PLEASE CONTACT BRAY VALVE AT 281-894-5454



23	O-RING, AIR PASSAGE	2		SIZE 255 ONLY
22	INDICATOR SCREW	1		
21	POSITION INDICATOR	1		
20	DUST CAP	2		
19	O-RING, LOWER PINION	1		
18	O-RING, UPPER PINION	1		
17	O-RING, END CAP	2		
16	O-RING, PISTON	2		
15	END CAP SCREW	8		
14	O-RING	2		
13	TRAVEL ADJUSTING STOP SCREW	2		
12	STOP NUT	2		
11	GUIDE RING	2		
10	BEARING PAD	2		
9	WASHER	1		
8	SNAP RING	1		
7	LOWER BEARING	1		
6	UPPER BEARING	1		
5	SPRING CARTRIDGE	1-6 EA. END		SERIES 91 ONLY
4	END CAP	2		
3	PINION	1		
2	PISTON	2		
1	BODY	1		

ITEM No.	NAME	No. REQUIRED	MATERIAL	SPECIFICATION/REMARKS
----------	------	--------------	----------	-----------------------

EXPLODED ISOMETRIC FOR
 SERIES 90/91 ACTUATOR
 SIZES 63-255

Bray CONTROLS
 A Division of BRAY INTERNATIONAL, Inc.

SHEET	REV.
1 OF 1	2
DRAWING NO.	
ES11A-0176	