

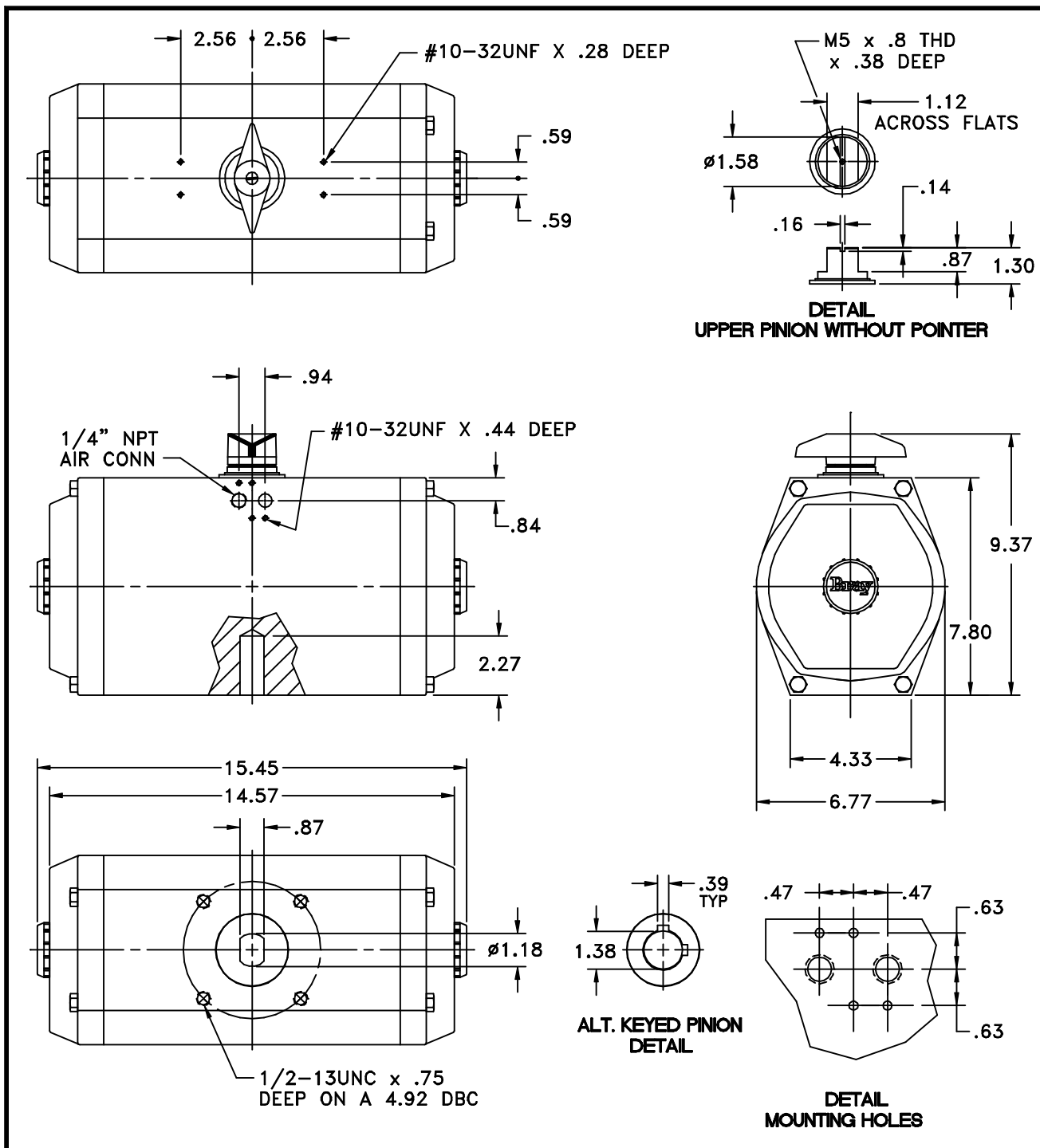
ATTENTION

THIS DOCUMENT IS VALID IF AND ONLY IF YOU PERSONALLY DOWNLOADED IT FROM WWW.BRAY.COM
 IF YOU RECEIVED THIS DOCUMENT FROM ANY OTHER SOURCE, PLEASE TAKE INTO CONSIDERATION THAT ALTERATIONS
 COULD HAVE BEEN MADE. FOR AN ORIGINAL COPY, PLEASE CONTACT BRAY VALVE AT 281-894-5454

SERIES 90

ES-0172

Date: October 1994



NOTE: SERIES 90 ACTUATORS (DOUBLE ACTING) AND SERIES 91 (SPRING RETURN) ARE DIMENSIONALLY THE SAME

Customer/Project _____
 Inq./P.O. No. _____
 Bray Order No. _____
 Certified Correct By _____ Date _____



The High Performance Company

BRAY VALVE & CONTROLS
 A Subsidiary of BRAY INTERNATIONAL, Inc.

DIMENSIONS (Inches)
 PNEUMATIC ACTUATOR, SERIES 90/91
 SIZE 160

Series	Size	Part No.	Material Trim Code	Drawing No.
90	1600			ES-0172

Bray