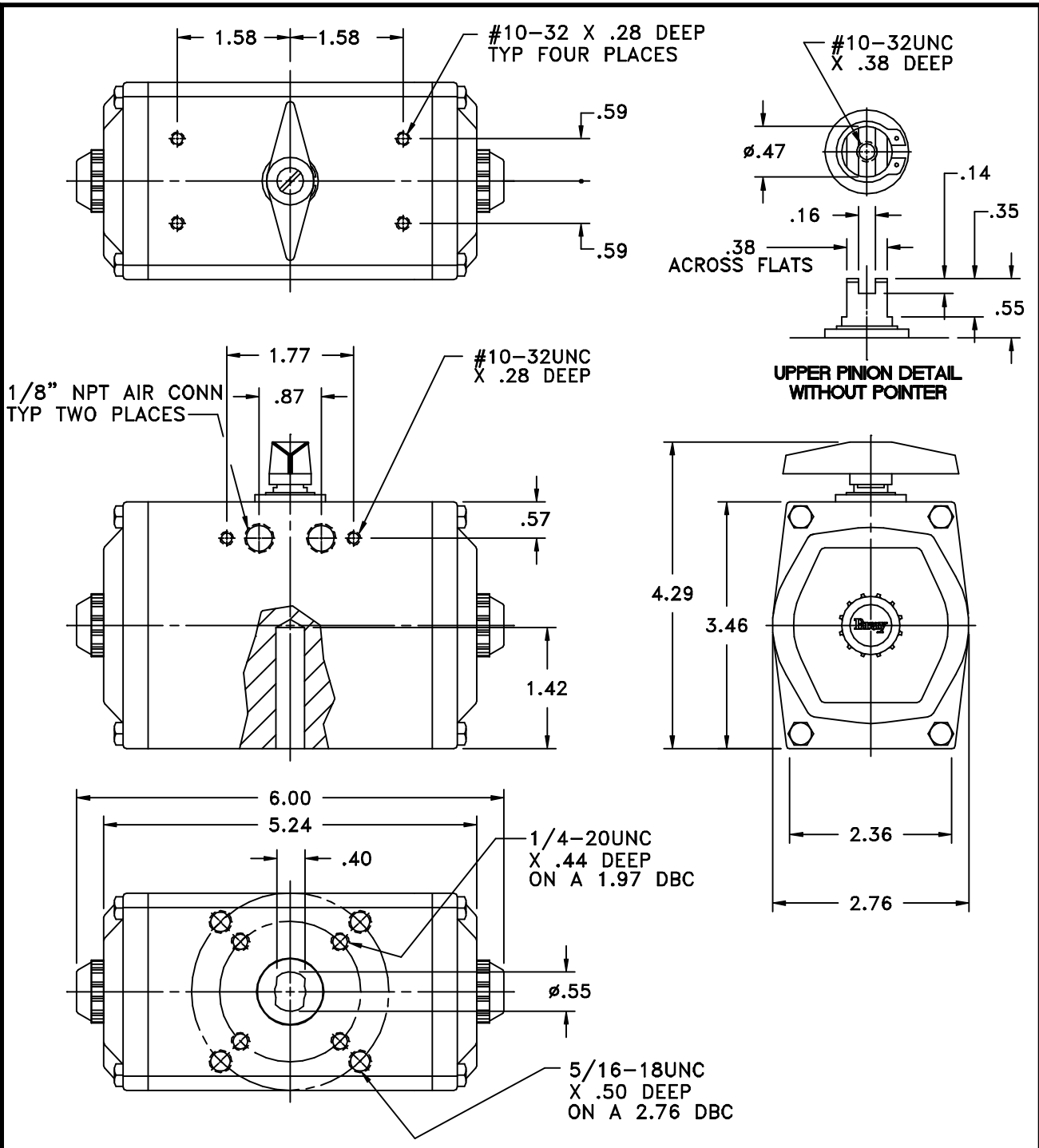


**\*ATTENTION\***

THIS DOCUMENT IS VALID IF AND ONLY IF YOU PERSONALLY DOWNLOADED IT FROM WWW.BRAY.COM  
 IF YOU RECEIVED THIS DOCUMENT FROM ANY OTHER SOURCE, PLEASE TAKE INTO CONSIDERATION THAT ALTERATIONS  
 COULD HAVE BEEN MADE. FOR AN ORIGINAL COPY, PLEASE CONTACT BRAY VALVE AT 281-894-5454

**SERIES 90  
 ES-0169**

**Date: April 1993**



**NOTE:** SERIES 90 ACTUATORS (DOUBLE ACTING) AND SERIES 91 (SPRING RETURN) ARE DIMENSIONALLY THE SAME.

Customer/Project \_\_\_\_\_  
 Inq./P.O. No. \_\_\_\_\_  
 Bray Order No. \_\_\_\_\_  
 Certified Correct By \_\_\_\_\_ Date \_\_\_\_\_



The High Performance Company

**BRAY VALVE & CONTROLS**  
 A Subsidiary of BRAY INTERNATIONAL, Inc.

DIMENSIONS (Inches)  
 PNEUMATIC ACTUATOR, SERIES 90/91  
 SIZE 63

Series	Size	Part No.	Material Trim Code	Drawing No.
90	0630	21320		ES-0169

