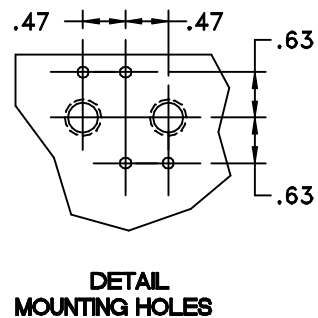
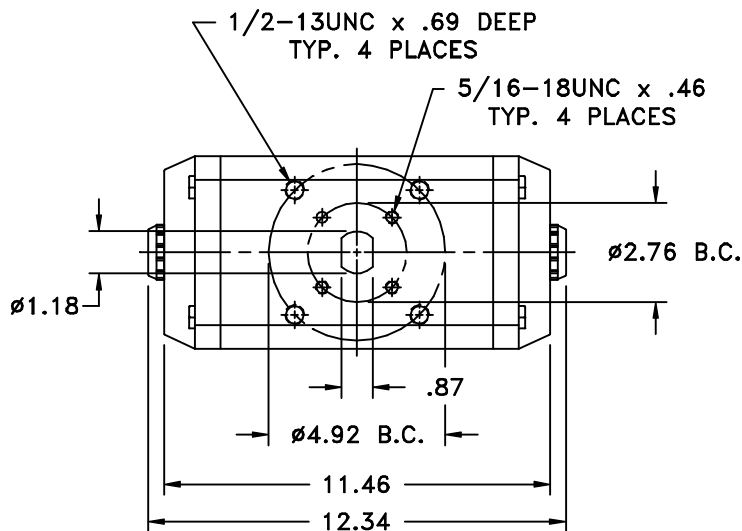
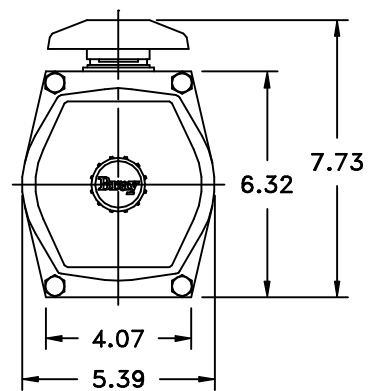
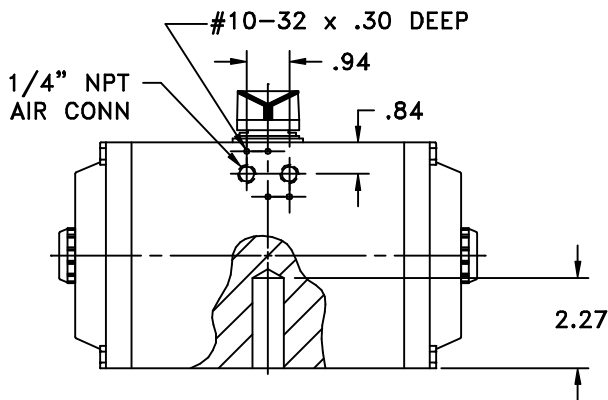
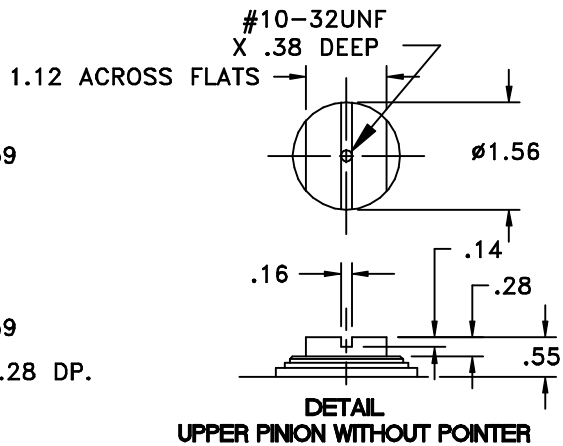
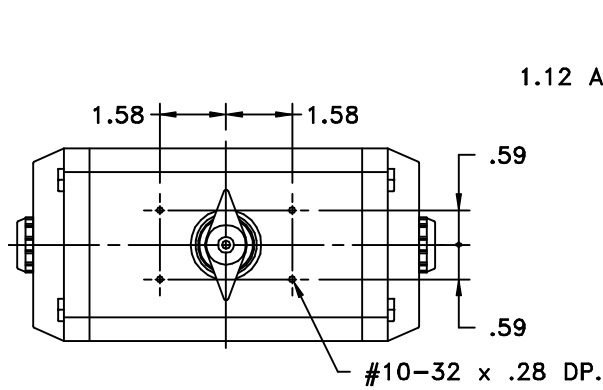


ATTENTION

THIS DOCUMENT IS VALID IF AND ONLY IF YOU PERSONALLY DOWNLOADED IT FROM WWW.BRAY.COM
 IF YOU RECEIVED THIS DOCUMENT FROM ANY OTHER SOURCE, PLEASE TAKE INTO CONSIDERATION THAT ALTERATIONS
 COULD HAVE BEEN MADE. FOR AN ORIGINAL COPY, PLEASE CONTACT BRAY VALVE AT 281-894-5454

SERIES 90
ES-0165
Date: April 1993



NOTES: SERIES 90 ACTUATORS (DOUBLE ACTING)
 AND SERIES 91 (SPRING RETURN) ARE
 DIMENSIONALLY THE SAME



The
 High
 Performance
 Company

BRAY VALVE & CONTROLS
 A Subsidiary of BRAY INTERNATIONAL, Inc.

Customer/Project _____
 Inq./P.O. No. _____
 Bray Order No. _____
 Certified Correct By _____ Date _____

DIMENSIONS (INCHES)
 PNEUMATIC ACTUATOR, SERIES 90/91
 SIZE 127

Series	Size	Part No.	Material Trim Code	Drawing No.
90	1270	21320		ES-0165

Bray