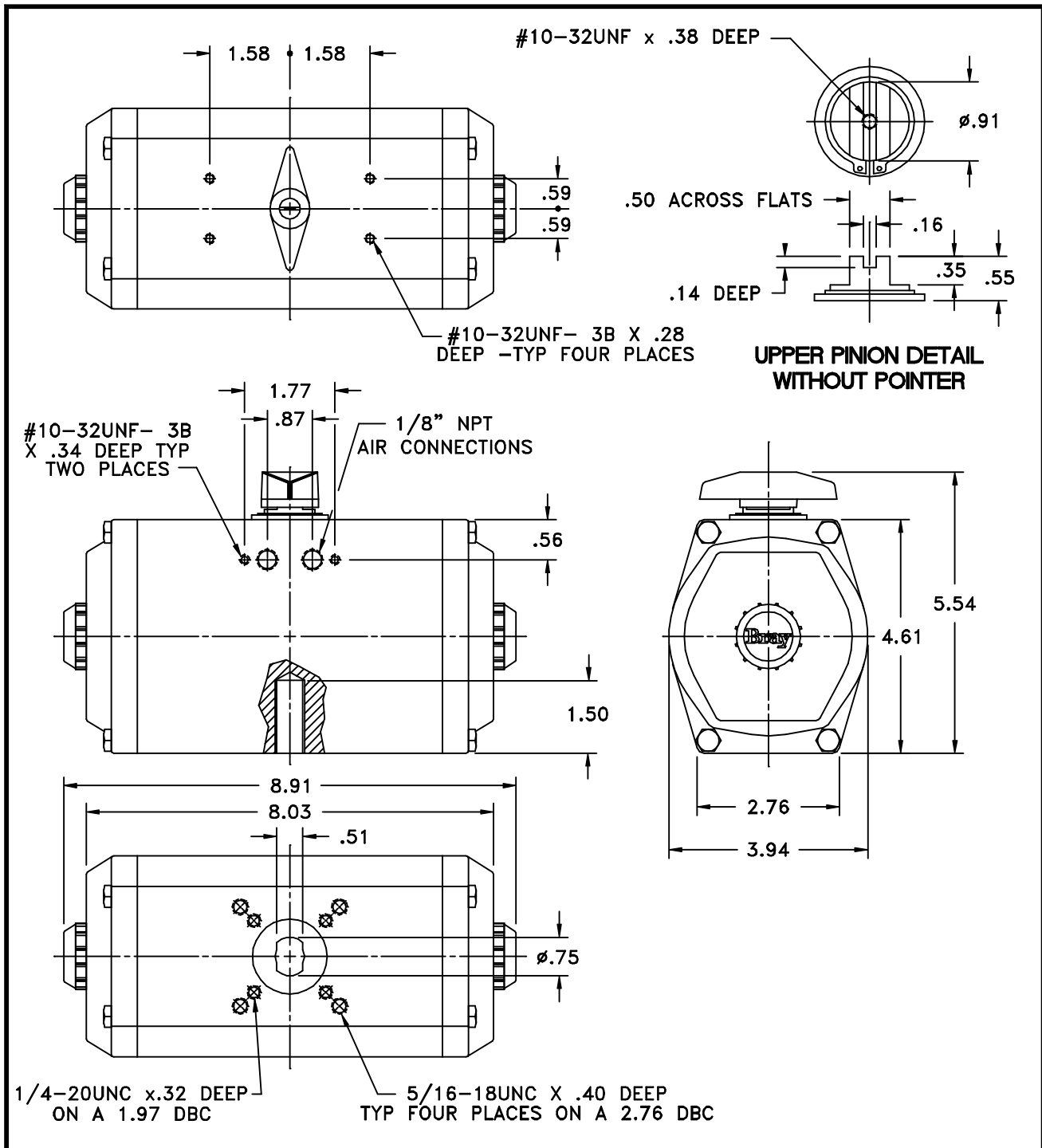


**SERIES 90
ES-0164**

Date: April 1993

ATTENTION

THIS DOCUMENT IS VALID IF AND ONLY IF YOU PERSONALLY DOWNLOADED IF FROM WWW.BRAY.COM
IF YOU RECEIVED THIS DOCUMENT FROM ANY OTHER SOURCE, PLEASE TAKE INTO CONSIDERATION THAT ALTERATIONS
COULD HAVE BEEN MADE, FOR AN ORIGINAL COPY, PLEASE CONTACT BRAY VALVE AT 281-894-5454



NOTES: SERIES 90 ACTUATORS (DOUBLE ACTING) AND SERIES 91 (SPRING RETURN) ARE DIMENSIONALLY THE SAME

Customer/Project _____
 Inq./P.O. No. _____
 Bray Order No. _____
 Certified Correct By _____ Date _____



The High Performance Company

BRAY VALVE & CONTROLS

A Subsidiary of BRAY INTERNATIONAL, Inc.

DIMENSIONS (Inches)
 PNEUMATIC ACTUATOR, SERIES 90
 SIZE 92

Series	Size	Part No.	Material Trim Code	Drawing No.
90	0920	21320		ES-0164

Bray