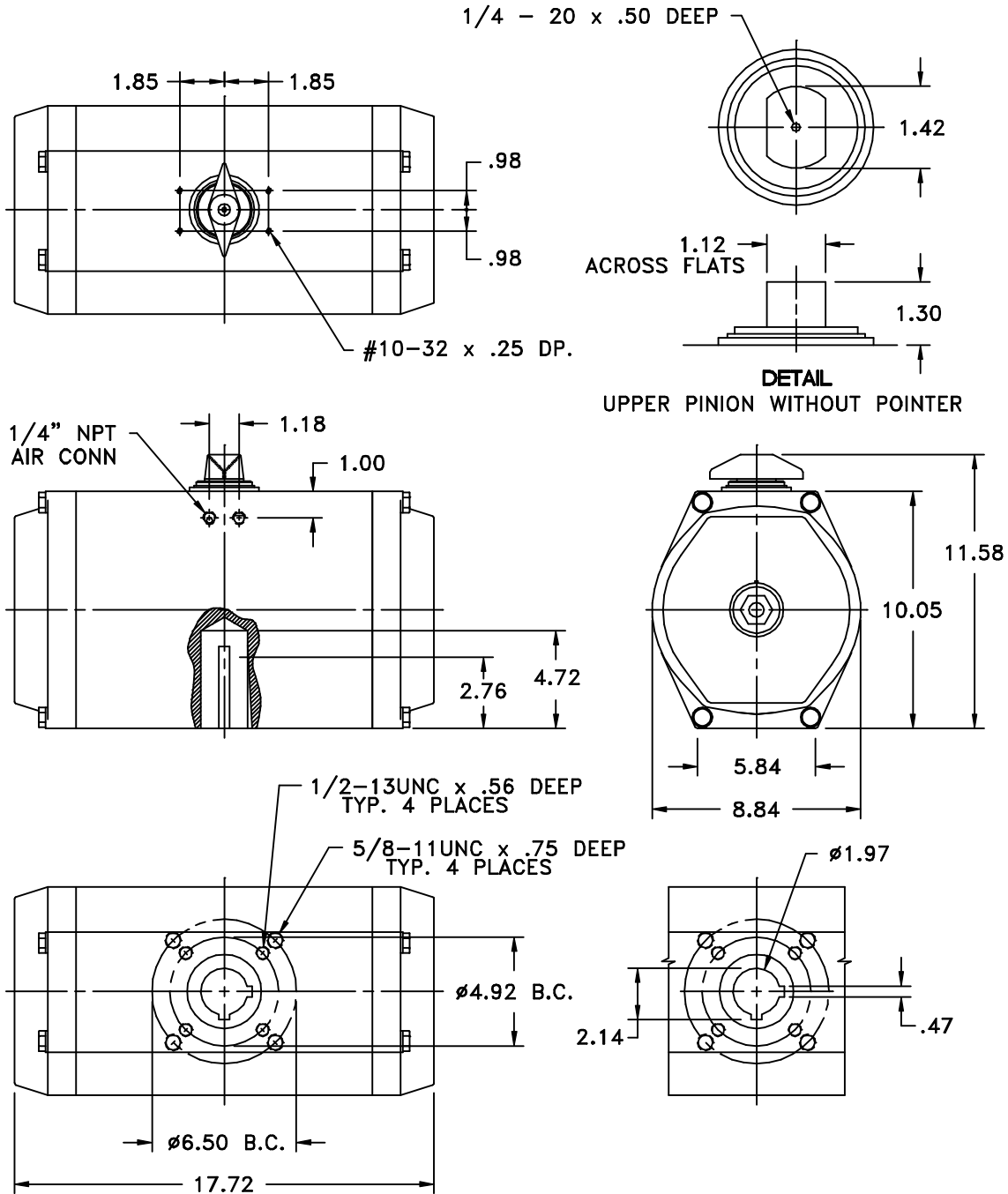


ATTENTION

THIS DOCUMENT IS VALID IF AND ONLY IF YOU PERSONALLY DOWNLOADED IT FROM WWW.BRAY.COM
 IF YOU RECEIVED THIS DOCUMENT FROM ANY OTHER SOURCE, PLEASE TAKE INTO CONSIDERATION THAT ALTERATIONS
 COULD HAVE BEEN MADE. FOR AN ORIGINAL COPY, PLEASE CONTACT BRAY VALVE AT 281-894-5454

SERIES 90
ES- 0144
Date: May 1991



NOTE: SERIES 90 ACTUATORS (DOUBLE ACTING) AND SERIES 91 (SPRING RETURN) ARE DIMENSIONALLY THE SAME.



The High Performance Company

BRAY VALVE & CONTROLS U.S.A., INC.

A Subsidiary of BRAY INTERNATIONAL, Inc.

Customer/Project _____
 Inq./P.O. No. _____
 Bray Order No. _____
 Certified Correct By _____ Date _____

DIMENSIONS (Inches)				
PNEUMATIC ACTUATOR, SERIES 90				
SIZE 200				
Series	Size	Part No.	Material Trim Code	Drawing No.
90	2100	21390	532	ES-0144

