

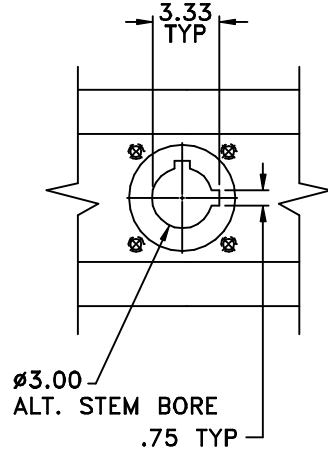
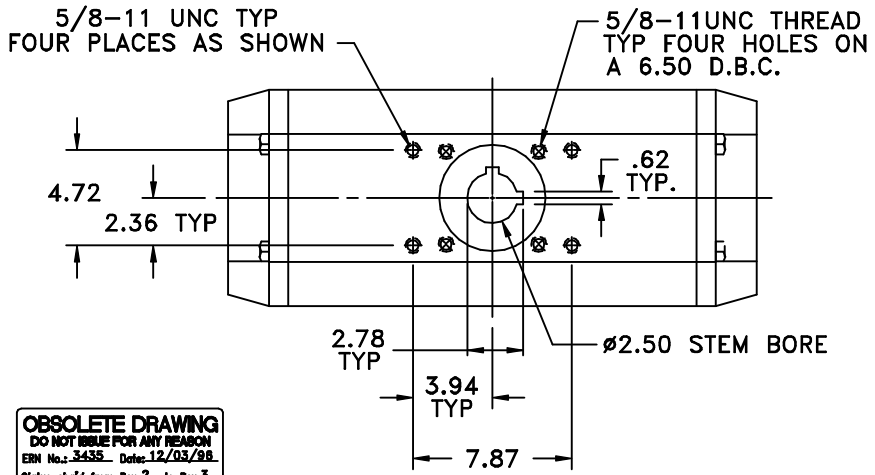
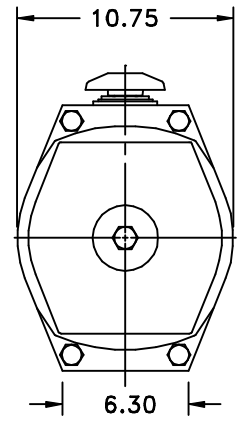
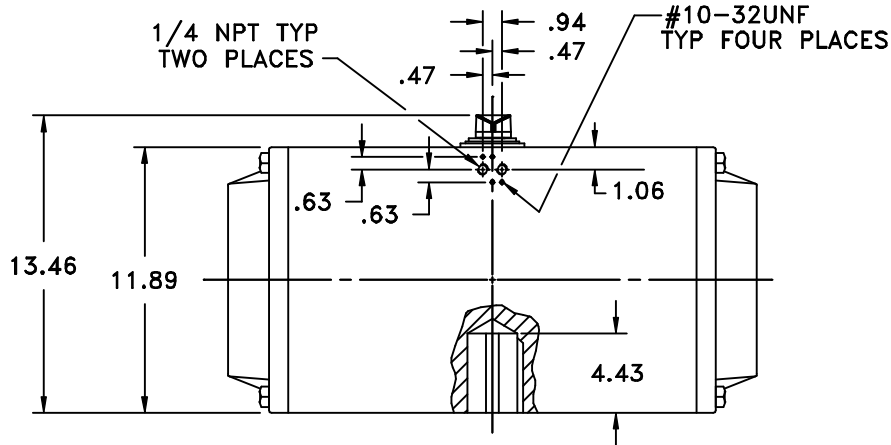
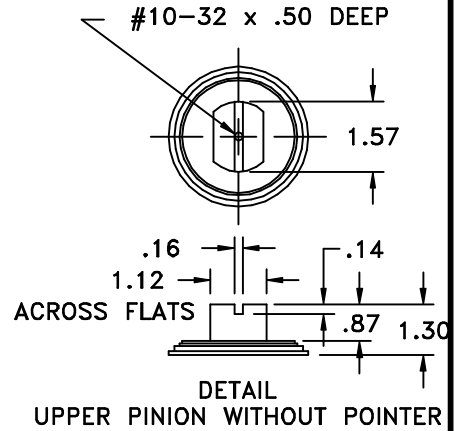
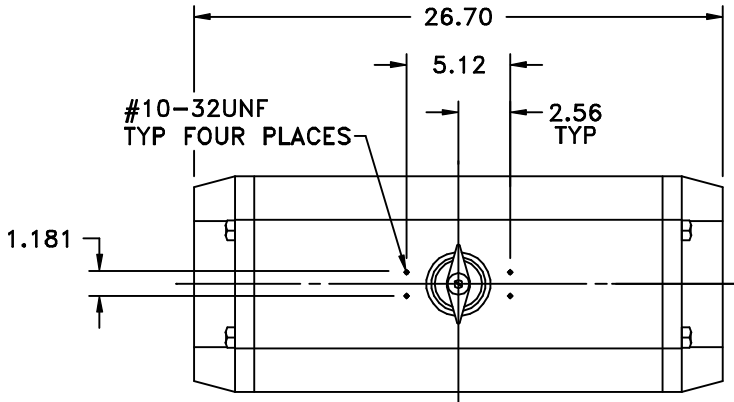
ATTENTION

THIS DOCUMENT IS VALID IF AND ONLY IF YOU PERSONALLY DOWNLOADED IT FROM WWW.BRAY.COM
 IF YOU RECEIVED THIS DOCUMENT FROM ANY OTHER SOURCE, PLEASE TAKE INTO CONSIDERATION THAT ALTERATIONS
 COULD HAVE BEEN MADE. FOR AN ORIGINAL COPY, PLEASE CONTACT BRAY VALVE AT 281-894-5454

SERIES 90/91

ES-0140

Date: APRIL 1993



OBSELETE DRAWING
 DO NOT ISSUE FOR ANY REASON
 ERN No.: 3435 Date: 12/03/98
 Status chg'd from Rev. 2 to Rev. 3

Valve Size _____ Flg. Drilling _____
 Pressure Rating _____
 Customer/Project _____
 Inq./P.O. No. _____
 Bray Order No. _____
 Certified Correct By _____ Date _____

The High Performance Company
BRAY VALVE & CONTROLS
 A Subsidiary of BRAY INTERNATIONAL, Inc.

DIMENSIONAL OUTLINE (INCHES)
PNEUMATIC ACTUATOR, SERIES 90/91
SIZE 255

Series	Size	Part No.	Material Trim Code	Drawing No.
				ES-0140

