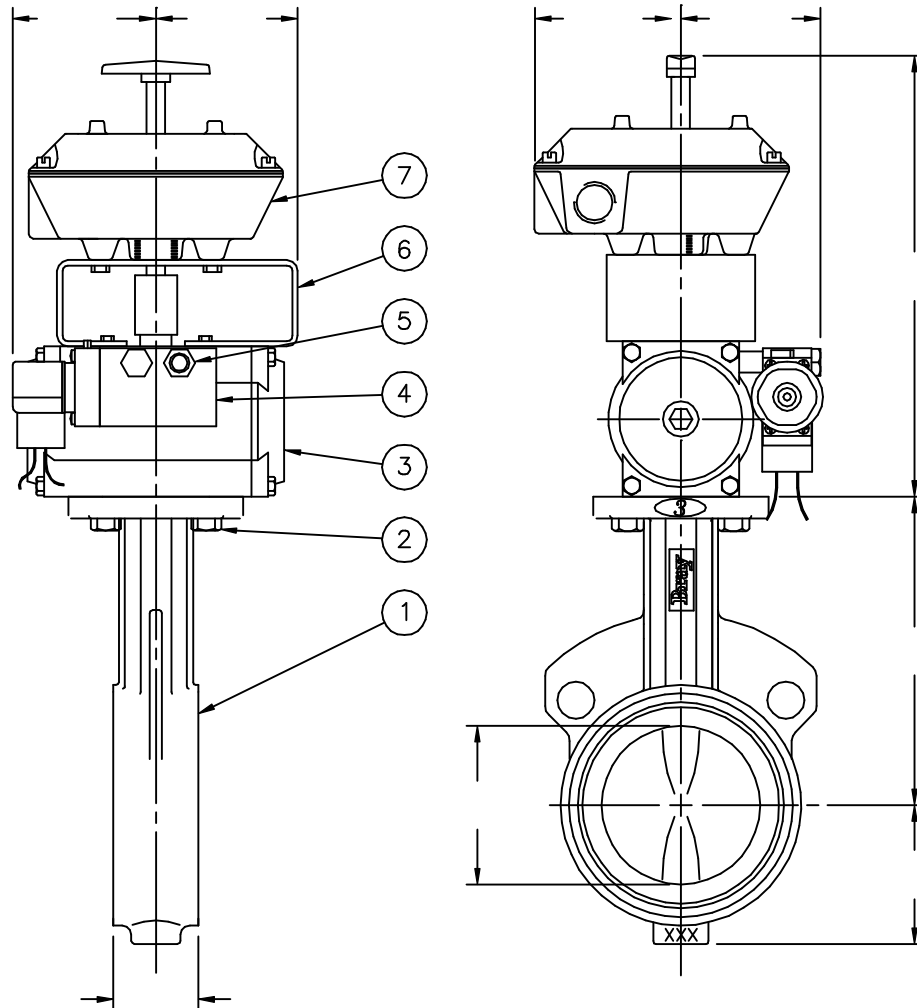


**\*ATTENTION\***

THIS DOCUMENT IS VALID IF AND ONLY IF YOU PERSONALLY DOWNLOADED IT FROM WWW.BRAY.COM  
 IF YOU RECEIVED THIS DOCUMENT FROM ANY OTHER SOURCE, PLEASE TAKE INTO CONSIDERATION THAT ALTERATIONS  
 COULD HAVE BEEN MADE. FOR AN ORIGINAL COPY, PLEASE CONTACT BRAY VALVE AT 281-894-5454

**SERIES 30  
 ES-0135  
 Date: Mar 1991**



7	LIMIT SWITCH	1			
6	LS MTG KIT	1			
5	SOL MTG KIT	1			
4	SOLENOID	1			
3	ACTUATOR	1			
2	ACT MTG KIT	1			
1	VALVE	1			

ITEM No.	NAME	No. REQUIRED	SERIES/PART No.	MATERIAL	SPECIFICATION/REMARKS
----------	------	--------------	-----------------	----------	-----------------------

Valve Size \_\_\_\_\_ Flg. Drilling \_\_\_\_\_

Pressure Rating \_\_\_\_\_

Customer/Project \_\_\_\_\_

Inq./P.O. No. \_\_\_\_\_

Bray Order No. \_\_\_\_\_

Certified Correct By \_\_\_\_\_ Date \_\_\_\_\_

TYPICAL BUTTERFLY VALVE WITH  
 SERIES 90 ACTUATOR, SERIES 60  
 SOLENOID, AND SERIES 53 LIMIT SWITCH

ES11a-0135