

**SERIES 30A  
ES-0075**

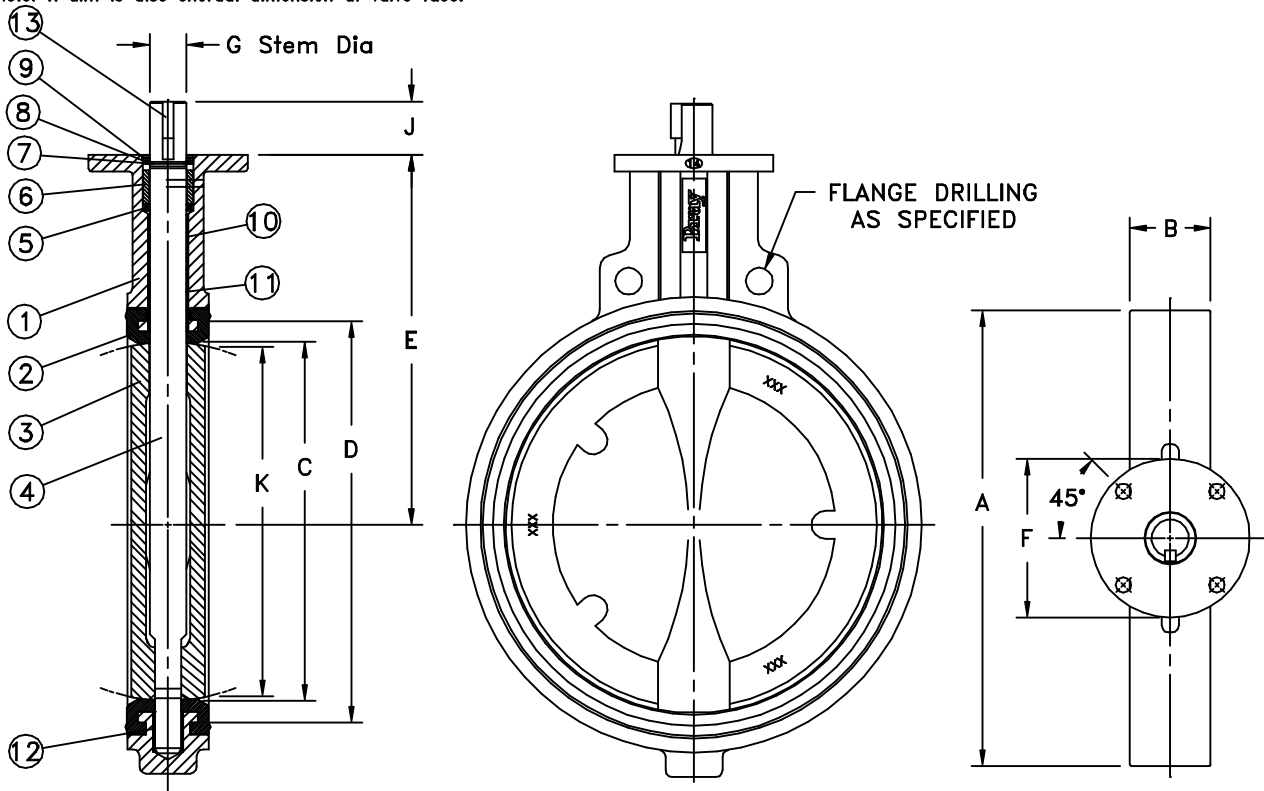
**Date: May 1996**

**\*ATTENTION\***

THIS DOCUMENT IS VALID IF AND ONLY IF YOU PERSONALLY DOWNLOADED IT FROM WWW.BRAY.COM  
IF YOU RECEIVED THIS DOCUMENT FROM ANY OTHER SOURCE, PLEASE TAKE INTO CONSIDERATION THAT ALTERATIONS  
COULD HAVE BEEN MADE. FOR AN ORIGINAL COPY, PLEASE CONTACT BRAY VALVE AT 281-894-5454

Valve Size	A	B	C	D	E	F	BC	Top Plate No. of Holes	Drilling Hole Diameter	G	J	Key Size	K	Adapter Code	Weight
14	16.94	3.00	13.25	15.28	13.62	5.91	4.92	4	.56	1.38	2.00	.39 x .39	13.04	F	118
16	19.06	4.00	15.25	17.41	14.75	5.91	4.92	4	.56	1.38	2.00	.39 x .39	14.85	F	185
18	21.12	4.25	17.25	19.47	16.00	8.27	6.50	4	.81	1.97	2.50	.39 x .47	16.85	G	212
20	23.25	5.00	19.25	21.59	17.25	8.27	6.50	4	.81	1.97	2.50	.39 x .47	18.73	G	306

Note: K dim is disc chordal dimension at valve face.



13	KEY	1			
12	LOWER BUSHING	1			
11	UPPER BUSHING	1			
10	SPACER	1			
9	RETAINING RING	1			
8	THRUST RING	1			
7	STEM RETAINER	2			
6	BUSHING	1			
5	PACKING	1			
4	STEM	1			
3	DISC	1			
2	SEAT	1			
1	BODY	1			

ITEM No.	NAME	No. REQUIRED	SERIES/PART No.	MATERIAL	SPECIFICATION/REMARKS
----------	------	--------------	-----------------	----------	-----------------------

Valve Size \_\_\_\_\_ Flg. Drilling \_\_\_\_\_  
 Pressure Rating \_\_\_\_\_  
 Customer/Project \_\_\_\_\_  
 Inq./P.O. No. \_\_\_\_\_  
 Bray Order No. \_\_\_\_\_  
 Certified Correct By \_\_\_\_\_ Date \_\_\_\_\_



**BRAY VALVE & CONTROLS**  
 A Subsidiary of BRAY INTERNATIONAL, Inc.

PARTS LIST AND DIMENSIONS (Inches)  
 BUTTERFLY VALVE, SERIES 30A SIZES 14"-20"

Series	Size	Part No.	Material Trim Code	Drawing No.
				ES-0075

**Bray**