

**SERIES 30
ES11A-0011**

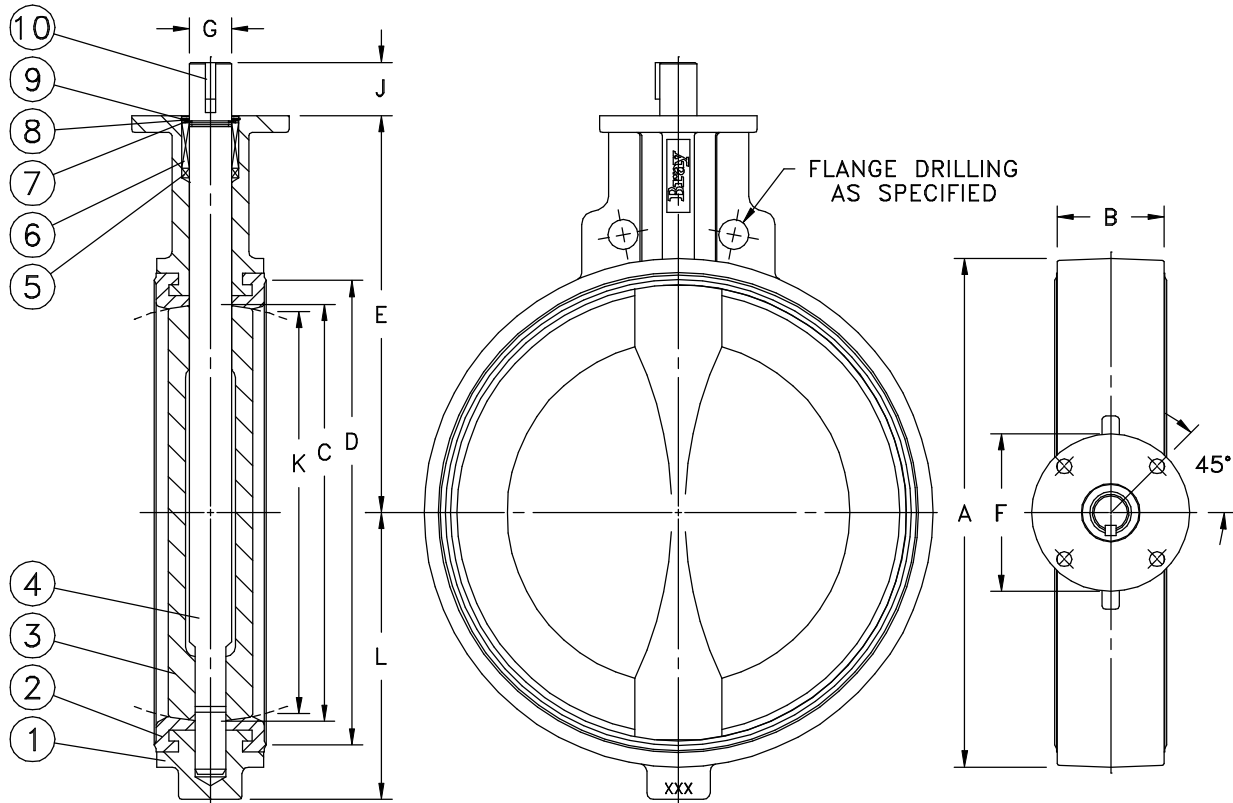
Date: June 1993

ATTENTION

THIS DOCUMENT IS VALID IF AND ONLY IF YOU PERSONALLY DOWNLOADED IF FROM WWW.BRAY.COM
IF YOU RECEIVED THIS DOCUMENT FROM ANY OTHER SOURCE, PLEASE TAKE INTO CONSIDERATION THAT ALTERATIONS
COULD HAVE BEEN MADE, FOR AN ORIGINAL COPY, PLEASE CONTACT BRAY VALVE AT 281-894-5454

Valve Size	A	B	C	D	E	F	BC	Top Plate No. of Holes	Drilling Hole Diameter	G	J	Key Size	K	L	Adapter Code	Weight
14"	17.05	3.00	13.25	15.28	13.62	5.91	4.92	4	.57	1.38	2.00	.39x.39	13.04	9.38	F	95
16"	19.21	4.00	15.25	17.41	14.75	5.91	4.92	4	.57	1.38	2.00	.39x.39	14.85	10.75	F	135
18"	21.12	4.25	17.25	19.47	16.00	8.27	6.50	4	.81	1.97	2.50	.47x.39	16.85	12.00	G	200
20"	23.25	5.00	19.25	21.59	17.25	8.27	6.50	4	.81	1.97	2.50	.47x.39	18.73	13.72	G	260

Note: K dim is disc chordal dimension at valve face.



10	KEY	1			
9	RETAINING RING	1			
8	THRUST WASHER	1			
7	STEM RETAINER	2			
6	BUSHING	1			
5	PACKING	1			
4	STEM	1			
3	DISC	1			
2	SEAT	1			
1	BODY	1			

ITEM No.	NAME	No. REQUIRED	SERIES/PART No.	MATERIAL	SPECIFICATION/REMARKS
----------	------	--------------	-----------------	----------	-----------------------

Valve Size _____ Flg. Drilling _____
 Pressure Rating _____
 Customer/Project _____
 Inq./P.O. No. _____
 Bray Order No. _____
 Certified Correct By _____ Date _____



BRAY VALVE & CONTROLS
 A Subsidiary of BRAY INTERNATIONAL, Inc.

PARTS LIST and DIMENSIONS (Inches)
 BUTTERFLY VALVE, SERIES 30 SIZES 14"-20"

Series	Size	Part No.	Material Trim Code	Drawing No.
				ES11A-0011

Bray