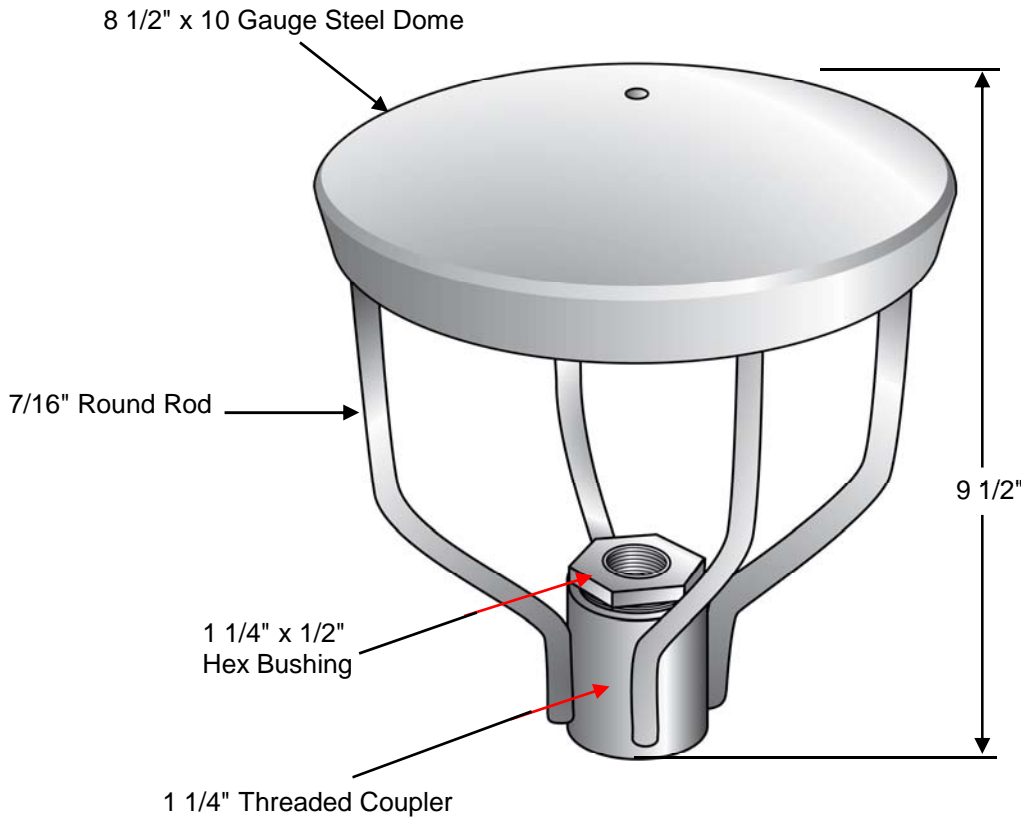


**Morrell**  
INDUSTRIES, INC.  
IRRIGATION EQUIPMENT MANUFACTURING

**GALVANIZED PLATED CARBON  
STEEL COWDOMES**

**DESIGNED FOR SPRINKLER HEAD PROTECTION IN DAIRY WASH DOWN AREAS  
AND PASTURE SPRINKLER PROTECTION**



PART #	DESCRIPTION	WEIGHT EACH
1099-CD	Cowdome 1 to 99	6.24 lbs
1099-CD1	Cowdome 100 to 199	6.24 lbs
1099-CD2	Cowdome 200 Plus	6.24 lbs

**Galvanizing - After all welding is complete. The complete unit is hot dipped galvanize conforming to ASTM 123 specifications**

Customer
Project
Engineer
Architect:
PO#

